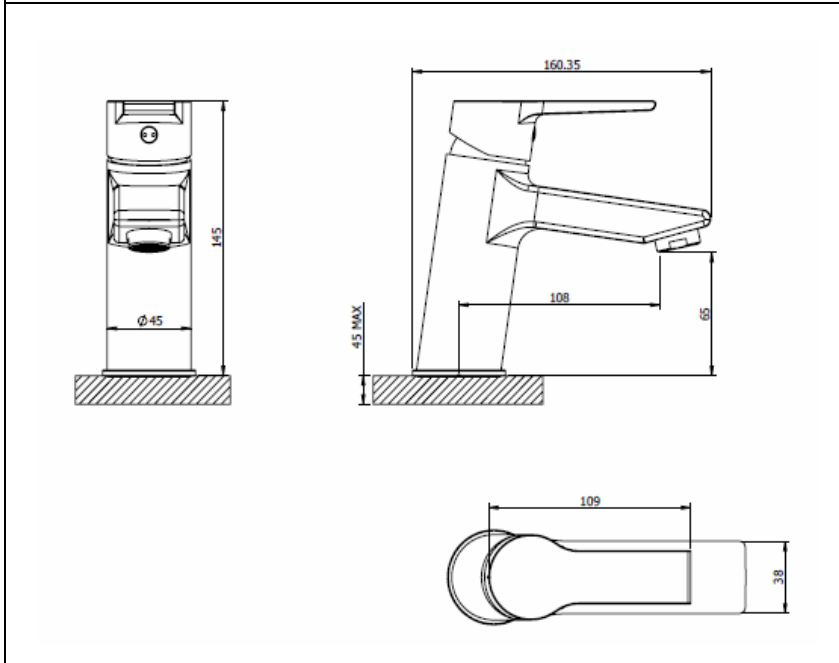


# CANIM

## E60056 – MONO BASIN MIXER



### Specification








Finish	Chrome
Body	Brass
Fittings	Metal plate, washer, stud & locking nut
Connection	M10 - DN8 Flexible hoses with 1/2" BSP thread ends
Min dynamic pressure	0.1
Max dynamic pressure	6
Max static pressure	16
Max water temperature	60°C

### Flow rates



Pressure	0.1	0.5	1	3
Aerator				
F/Straight	2.8	8.5	13.4	22.8

All Pressures in Bar. All flow in L/Min.  
 Dimensions supplied are nominal and subject to tolerance.  
 Inclusion or restrictors (sold separately unless stated) will affect flow rate result.  
 Performance details are based on trials under test conditions and for guidance only.  
 The Company reserves the right to change product specification without prior notice.

### Features & Benefits

 10 YEAR Guarantee	 L Low Pressure	 Flexible Hose	 Click Waste
 Flow Straightener	 Eco Aerator	 Single Flow	

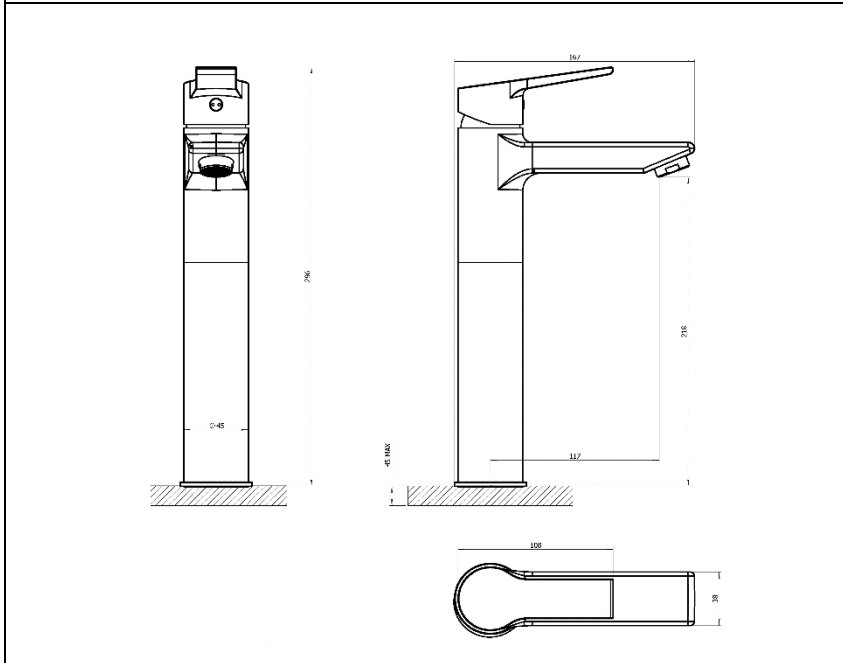
### Certifications

	
2011089- Nov 25	Tested @ 0.2 bar



# CANIM

## E60057 – TALL MONO BASIN MIXER



### Specification

Finish	Chrome
Body	Brass
Fittings	Metal plate, washer, stud & locking nut
Connection	M10 - DN8 Flexible hoses with 1/2" BSP thread ends
Min dynamic pressure	0.1
Max dynamic pressure	6
Max static pressure	16
Max water temperature	60°C

### Flow rates

Pressure	0.1	0.5	1	3
Aerator				
F/Straight	2.8	8.5	12.5	22.1

All Pressures in Bar. All flow in L/Min.  
 Dimensions supplied are nominal and subject to tolerance.  
 Inclusion or restrictors (sold separately unless stated) will affect flow rate result.  
 Performance details are based on trials under test conditions and for guidance only.  
 The Company reserves the right to change product specification without prior notice.

### Features & Benefits

10 YEAR Guarantee	Low Pressure	Flexible Hose	Click Waste
Flow Straightener	Eco Aerator	Single Flow	

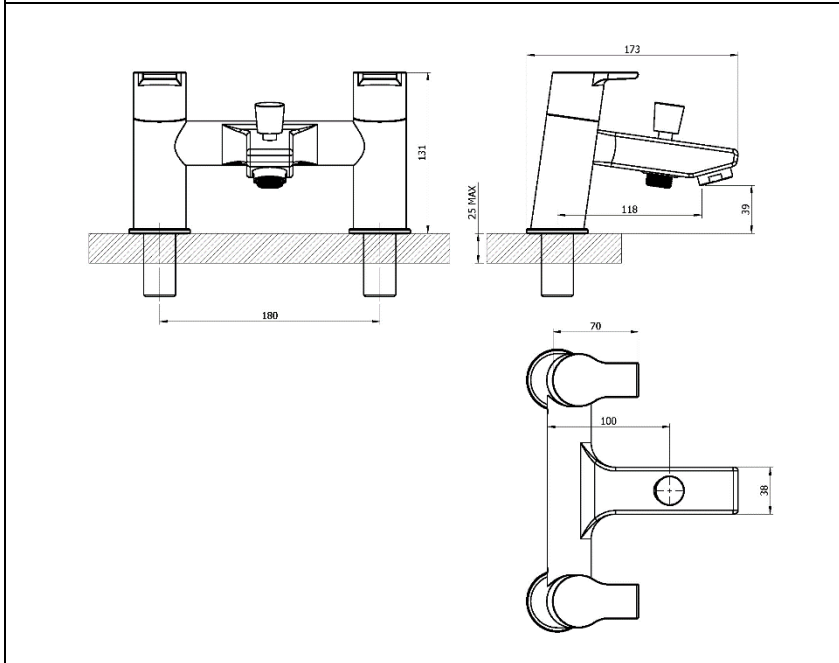
### Certifications

2011089- Nov 25	Tested @ 0.2 bar



# CANIM

## E62059 – BATH & SHOWER MIXER



### Specification

Finish	Chrome
Body	Brass
Fittings	Brass backnut & washer
Connection	3/4" BSP Threaded tail
Min dynamic pressure	0.1
Max dynamic pressure	6
Max static pressure	25
Max water temperature	60°C

### Flow rates

Pressure	0.1	0.5	1	3
L/min	11.1	25.1	35.6	60

All Pressures in Bar. All flow in L/Min.  
 Dimensions supplied are nominal and subject to tolerance.  
 Inclusion or restrictors (sold separately unless stated) will affect flow rate result.  
 Performance details are based on trials under test conditions and for guidance only.  
 The Company reserves the right to change product specification without prior notice.

### Features & Benefits

10 YEAR Guarantee	Low Pressure	Brass Backnut	Flow Straightener
Flow Aerator	Shower Kit Included	Single Flow	

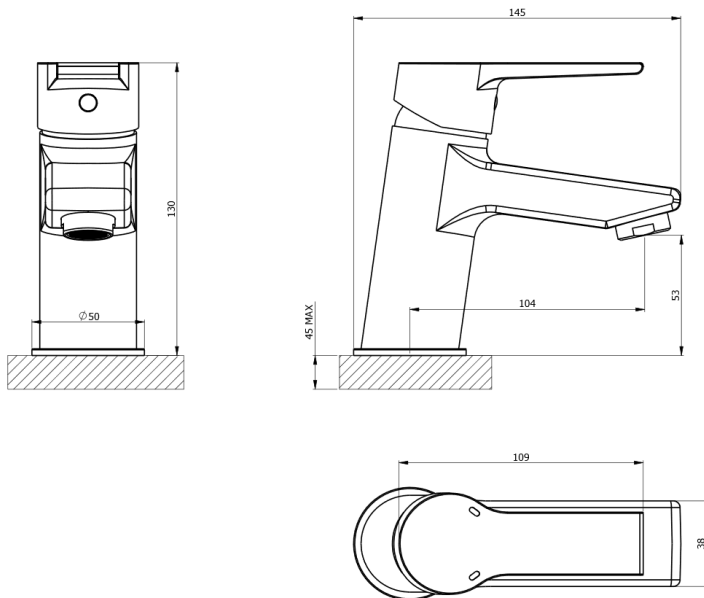
### Certifications

2011090 - Nov 25	Tested @ 0.2bar



# CANIM

## E62032 – MINI MONO BASIN MIXER



### Specification

Finish	Chrome
Body	Brass
Fittings	Metal plate, washer, stud & locking nut
Connection	M10 - DN8 Flexible hoses with 1/2" BSP thread ends
Min dynamic pressure	0.1
Max dynamic pressure	6
Max static pressure	16
Max water temperature	60°C

### Flow rates

Pressure	0.1	0.5	1	3
Aerator	1.4	2.5	3.5	3.5
F/Straight	3.2	8.9	12.8	22.8

All Pressures in Bar. All flow in L/Min.  
 Dimensions supplied are nominal and subject to tolerance.  
 Inclusion or restrictors (sold separately unless stated) will affect flow rate result.  
 Performance details are based on trials under test conditions and for guidance only.  
 The Company reserves the right to change product specification without prior notice.

### Features & Benefits

10 YEAR Guarantee	Low Pressure	Flexible Hose	Click Waste
Flow Straightener	Eco Aerator	Single Flow	

### Certifications

5.4 l/min	
Tested @ 0.2 bar	

