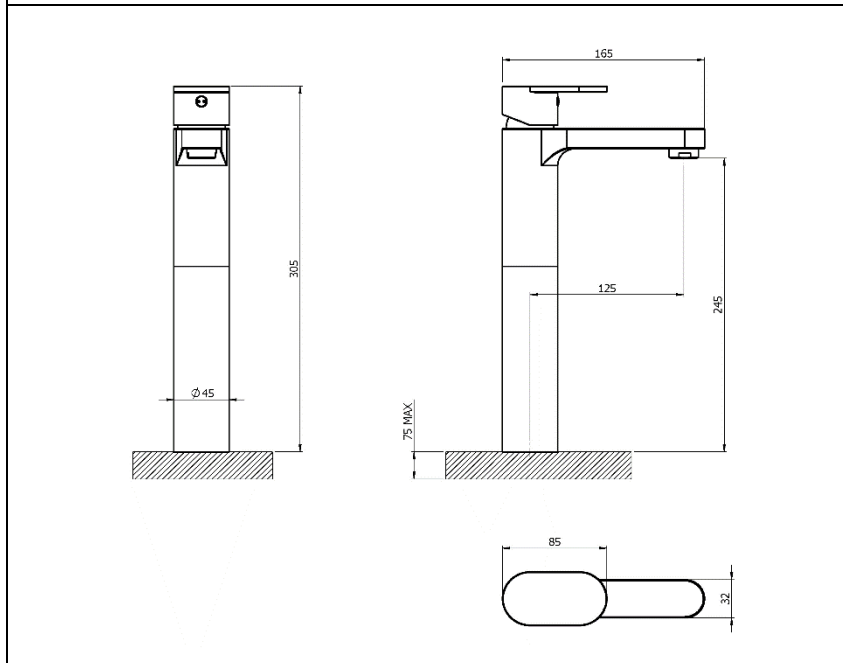


RISCO BLADE

E62016 – TALL MONO BASIN MIXER



Specification








Finish	Chrome
Body	Brass
Fittings	Metal plate, washer, stud & locking nut
Connection	M12 – DN8 flexible hoses with 1/2" BSP threaded ends
Min dynamic pressure	0.1
Max dynamic pressure	6
Max static pressure	16
Max water temperature	60°C

Flow rates


Pressure	0.1	0.5	1	3
L/min	1.1	5.9	9.1	17.2

All Pressures in Bar. All flow in L/Min.
 Dimensions supplied are nominal and subject to tolerance.
 Inclusion or restrictors (sold separately unless stated) will affect flow rate result.
 Performance details are based on trials under test conditions and for guidance only.
 The Company reserves the right to change product specification without prior notice.

Features & Benefits

 Guarantee	 Low Pressure	 Flexible Hose	 Click Waste
 Flow Straightener	 Flow Aerator	 Single Flow	

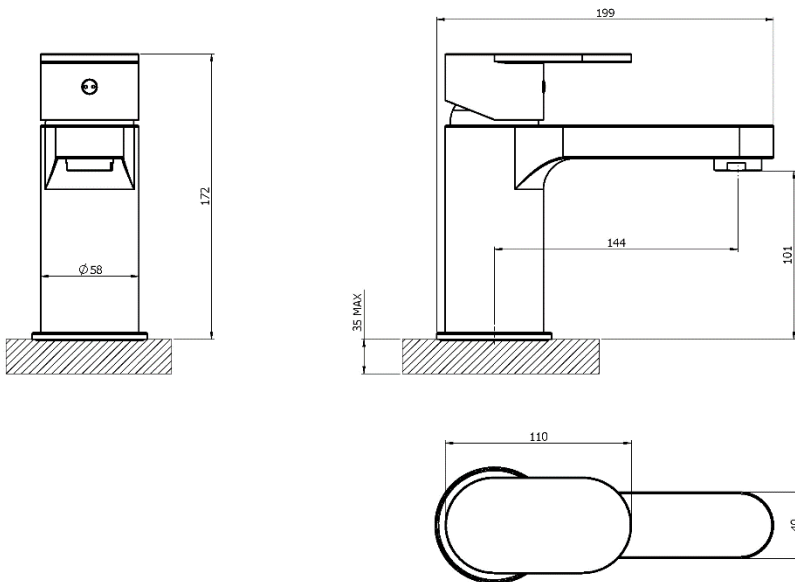
Certifications

	
Tested @ 0.2bar	



RISCO BLADE

E62017 – MONO BATH FILLER



Specification

Finish	Chrome
Body	Brass
Fittings	Metal plate, stud & locking nut
Connection	M16 x 1 – 15mm copper tube
Min dynamic pressure	0.1
Max dynamic pressure	6
Max static pressure	16
Max water temperature	60°C

Flow rates

Pressure	0.1	0.5	1	3
L/min	4.3	15.8	23.5	43

All Pressures in Bar. All flow in L/Min.
 Dimensions supplied are nominal and subject to tolerance.
 Inclusion or restrictors (sold separately unless stated) will affect flow rate result.
 Performance details are based on trials under test conditions and for guidance only.
 The Company reserves the right to change product specification without prior notice.

Features & Benefits

10 YEAR Guarantee	Low Pressure	Copper Tail	Flow Straightener
Single Flow			

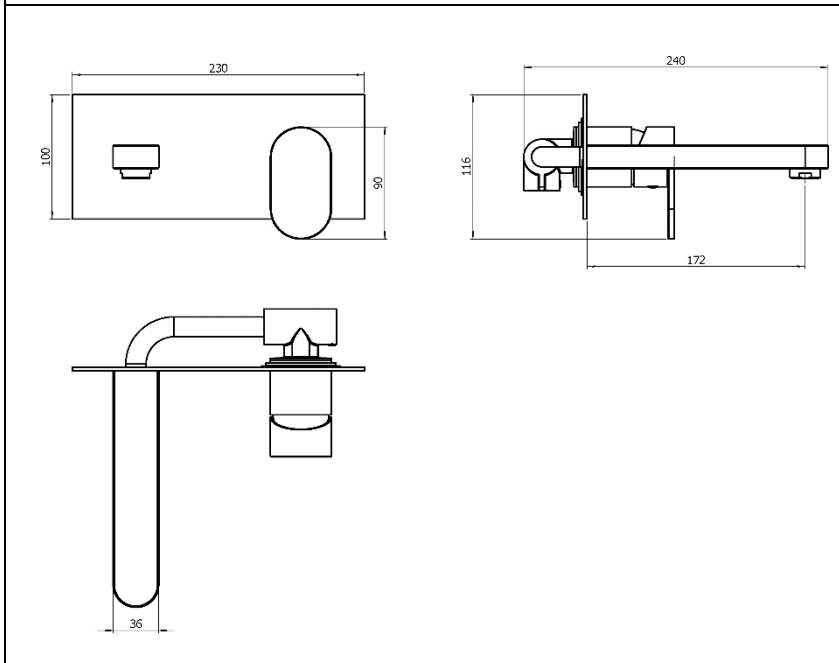
Certifications

8.9 l/min	
Tested @ 0.2bar	



RISCO BLADE

E62018 – WALL BASIN MIXER



Specification

Finish	Chrome
Body	Brass
Fittings	N/A
Connection	½" BSP threaded tail
Min dynamic pressure	0.1
Max dynamic pressure	6
Max static pressure	16
Max water temperature	60°C

Flow rates

Pressure	0.1	0.5	1	3
L/min	2.6	10.5	15.4	28.1

All Pressures in Bar. All flow in L/Min.
 Dimensions supplied are nominal and subject to tolerance.
 Inclusion or restrictors (sold separately unless stated) will affect flow rate result.
 Performance details are based on trials under test conditions and for guidance only.
 The Company reserves the right to change product specification without prior notice.

Features & Benefits

10 YEAR Guarantee	Low Pressure	Click Waste	Flow Straightener
Flow Aerator	Single Flow		

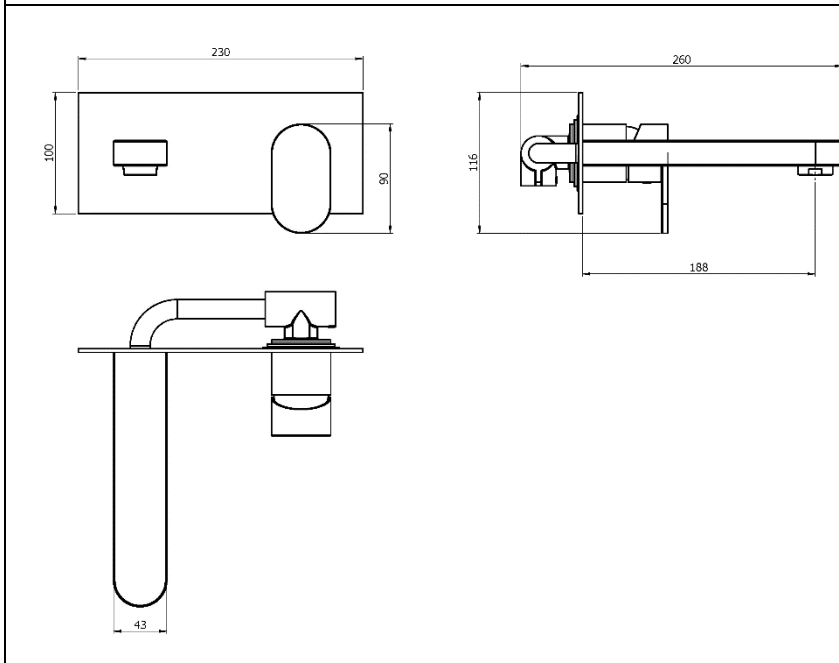
Certifications

5.6 l/min	
Tested @ 0.2 bar	







RISCO BLADE

E62019 – WALL BATH FILLER



Features & Benefits

 Guarantee	 Low Pressure	 Flow Straightener	 Single Flow

Specification


Finish	Chrome
Body	Brass
Fittings	N/A
Connection	½" BSP threaded tail
Min dynamic pressure	0.1
Max dynamic pressure	6
Max static pressure	16
Max water temperature	60°C

Flow rates

Pressure	0.1	0.5	1	3
L/min	2.6	10.5	15.4	28.1

All Pressures in Bar. All flow in L/Min.
 Dimensions supplied are nominal and subject to tolerance.
 Inclusion or restrictors (sold separately unless stated) will affect flow rate result.
 Performance details are based on trials under test conditions and for guidance only.
 The Company reserves the right to change product specification without prior notice.

Certifications

	
Tested @ 3 bar	

